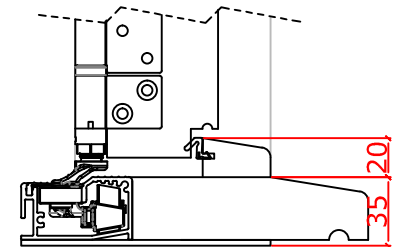
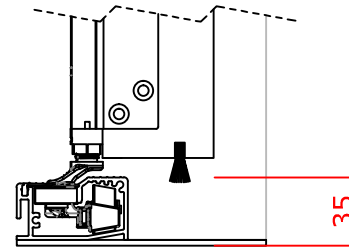
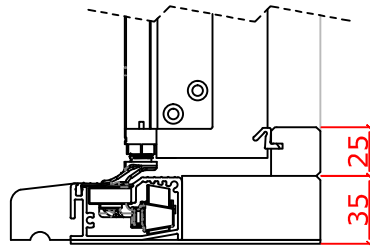
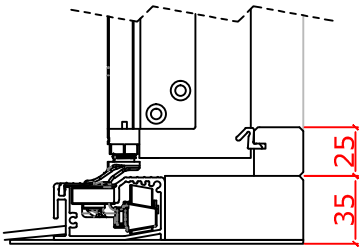
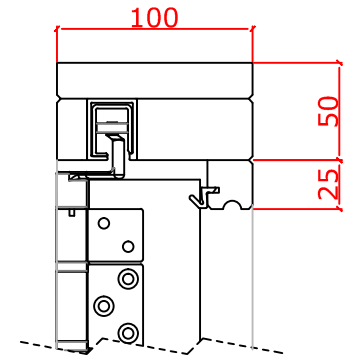
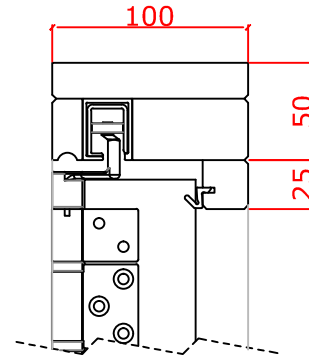
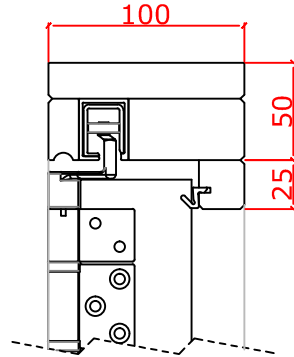
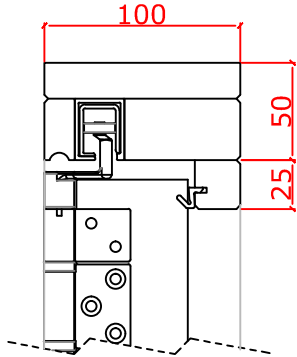


**F3 SYSTEM - BOTTOM ROLLERS
AREAS WHERE NO STRUCTURAL ELEMENT CAN BE FITTED
(ORANGERYS, CONSERVATORIES, GREEN OAK)**



**FLUSH
PATIO SILL**

**STANDARD
TIMBER DRIP SILL**

**INTERNAL
ROOM DIVIDER**

**INWARD OPENING
TIMBER DRIP SILL**